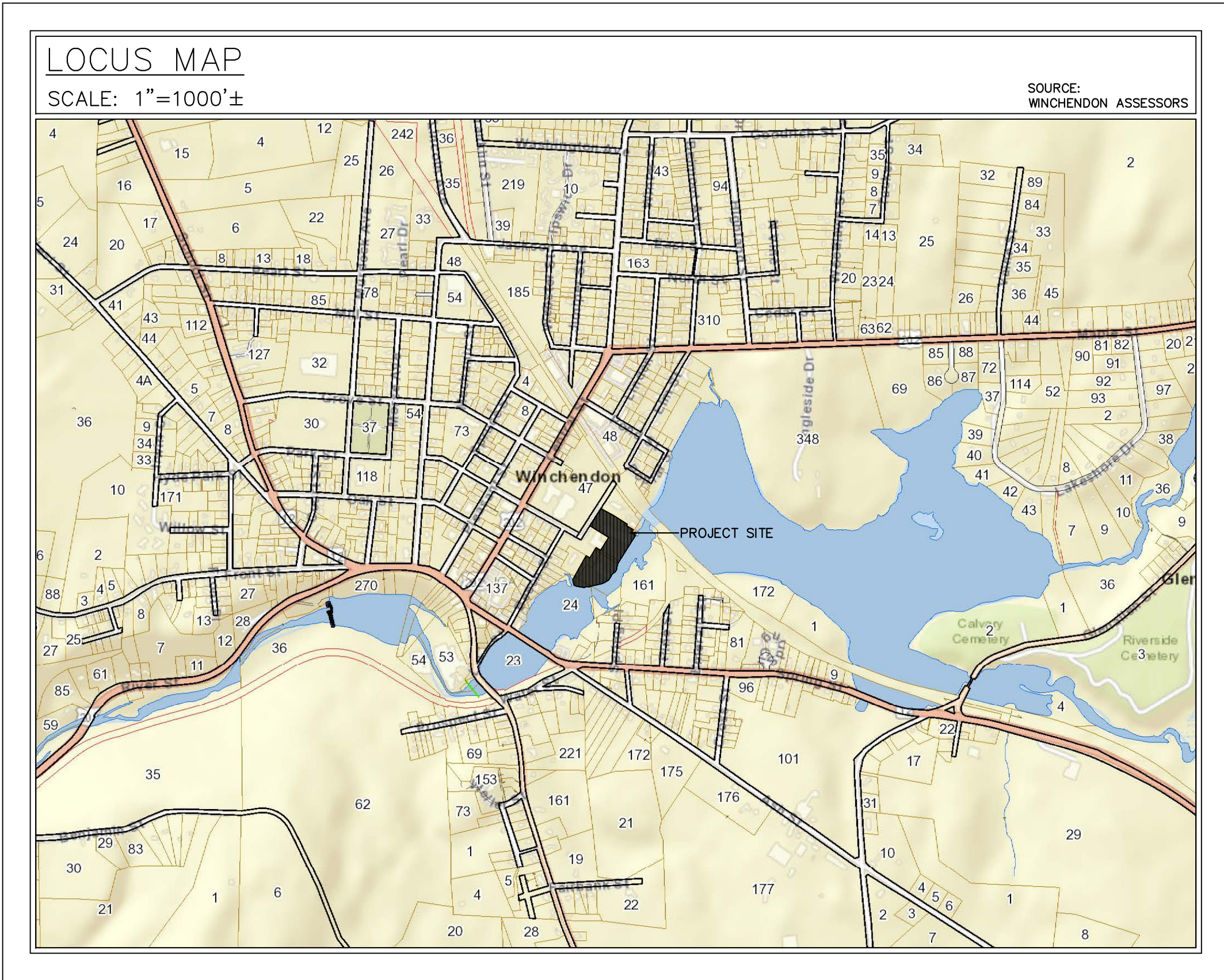


***BULL SPIT BREWERY***  
***PROPOSED SITE DEVELOPMENT PLAN***  
 IN  
***WINCHENDON, MASSACHUSETTS***  
 OFF  
***SUMMER DRIVE***  
***MARCH 30, 2022***



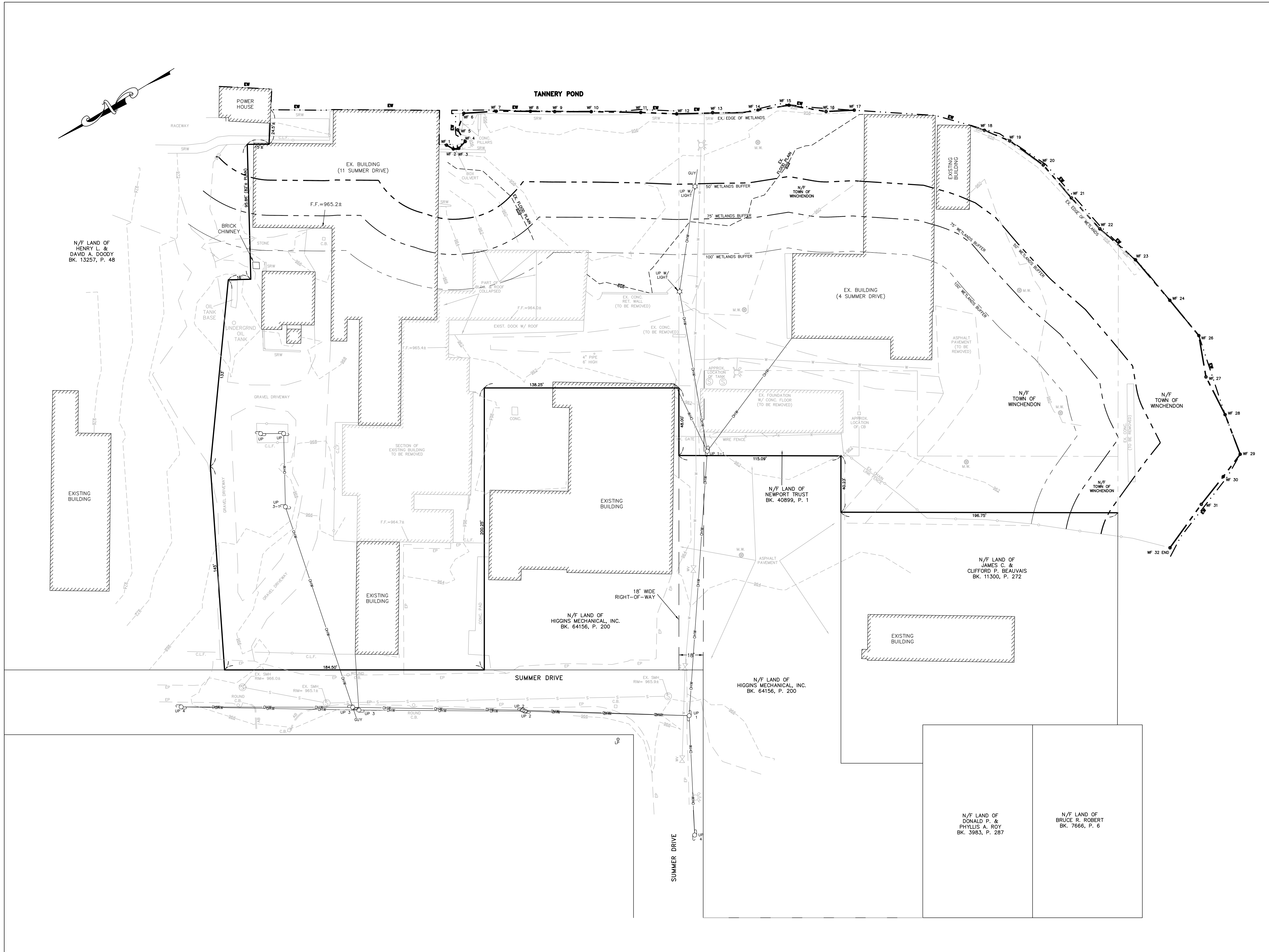
APPLICANT  
 BULL SPIT BREWING COMPANY  
 351 SOUTH ASHBURNHAM ROAD  
 WESTMINSTER, MA 01473  
 (978) 878-3239

ENGINEER & SURVEYOR  
 WHITMAN & BINGHAM ASSOCIATES  
 A DIVISION OF HALEY WARD  
 510 MECHANIC STREET  
 LEOMINSTER, MA 01453  
 TEL. (978) 537-5296  
 FAX (978) 537-1423

NO.	DATE	DESCRIPTION

PLAN INDEX	
EXISTING CONDITIONS PLAN	1
PROPOSED SITE & GRADING PLAN	2
CONSTRUCTION NOTES	3
CONSTRUCTION DETAILS	4



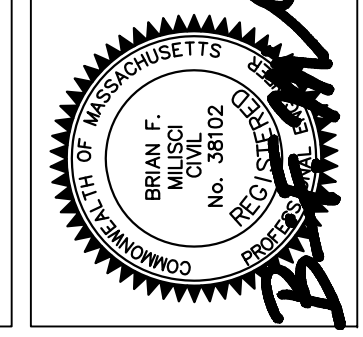


CHECKED BY:	BFM
DRAWN BY:	WRF
DATE:	MARCH 30, 2022
SHEET NUMBER:	1 OF 4
SCALE:	1"=30'
JOB NUMBER:	14947
COMPS:	10193
PLAN NUMBER:	4-L-1085
FIELD BOOK REF(S):	6-G-237

NO.	DESCRIPTION	DATE	BY

**EXISTING CONDITIONS PLAN**  
FOR  
**BULL SPIT BREWERY**  
IN  
**WINCHENDON, MASSACHUSETTS**

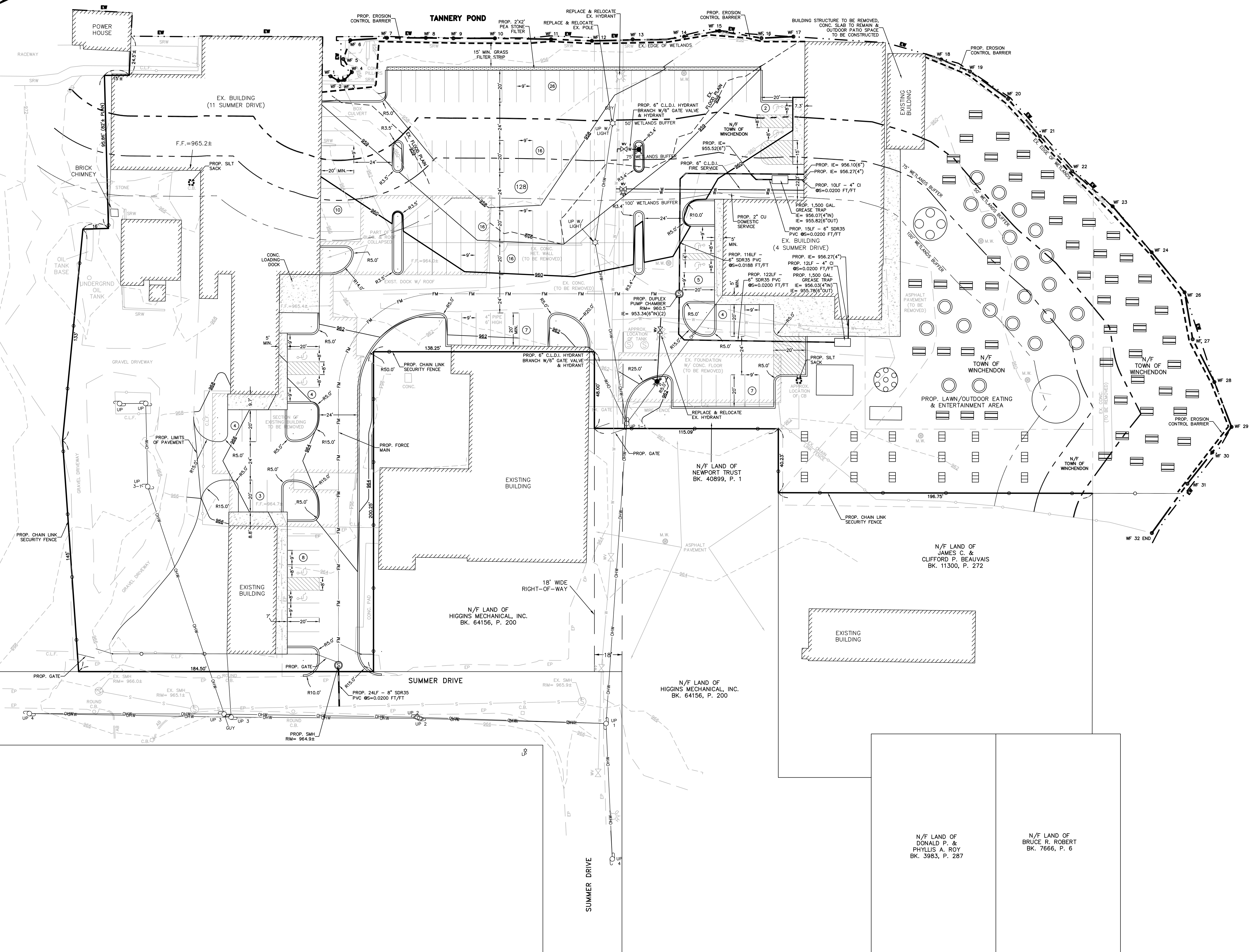
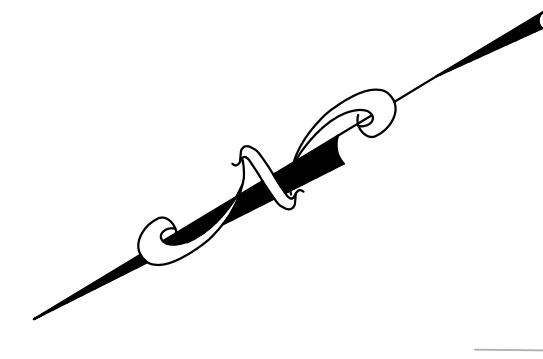
PREPARED FOR:  
**BULL SPIT BREWING COMPANY**  
KEITH KOPLEY  
351 SOUTH ASHBURNHAM ROAD  
WESTMINSTER, MASSACHUSETTS 01473  
(978) 878-3239



**WHITMAN & BINGHAM**  
ASSOCIATES  
A DIVISION OF HALEY WARD, INC.

510 MECHANIC STREET  
LEAMINGTON, MASSACHUSETTS 01453  
TEL: (978) 531-5200  
FAX: (978) 531-1423





N/F LAND OF HENRY L. & DAVID A. DOODY BK. 13257, P. 48

EXISTING BUILDING

N/F LAND OF HIGGINS MECHANICAL, INC. BK. 64156, P. 200

N/F LAND OF HIGGINS MECHANICAL, INC. BK. 64156, P. 200

N/F LAND OF DONALD P. & PHYLLIS A. ROY BK. 3983, P. 287

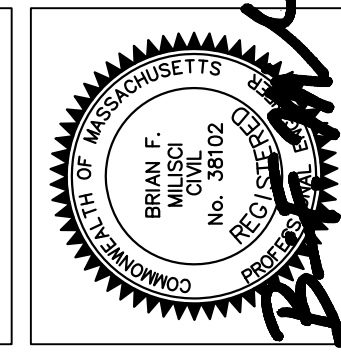
N/F LAND OF BRUCE R. ROBERT BK. 7666, P. 6

CHECKED BY:	BFM
DATE:	MARCH 30, 2022
SHEET NUMBER:	2 OF 4
COMP:	10193
PLAN REF(S):	6-G-237
DRAWN BY:	WRF
SCALE:	1"=30'
JOB NUMBER:	14947
PLAN NUMBER:	4-L-1085
FIELD BOOK REF(S):	

NO.	DESCRIPTION	DATE	BY

PROPOSED SITE & GRADING PLAN  
FOR  
BULL SPIT BREWERY  
IN  
WINCHENDON, MASSACHUSETTS

PREPARED FOR:  
BULL SPIT BREWING COMPANY  
KEITH KOPLEY  
351 SOUTH ASHBURNHAM ROAD  
WESTMINSTER, MASSACHUSETTS 01473  
(978) 878-3239



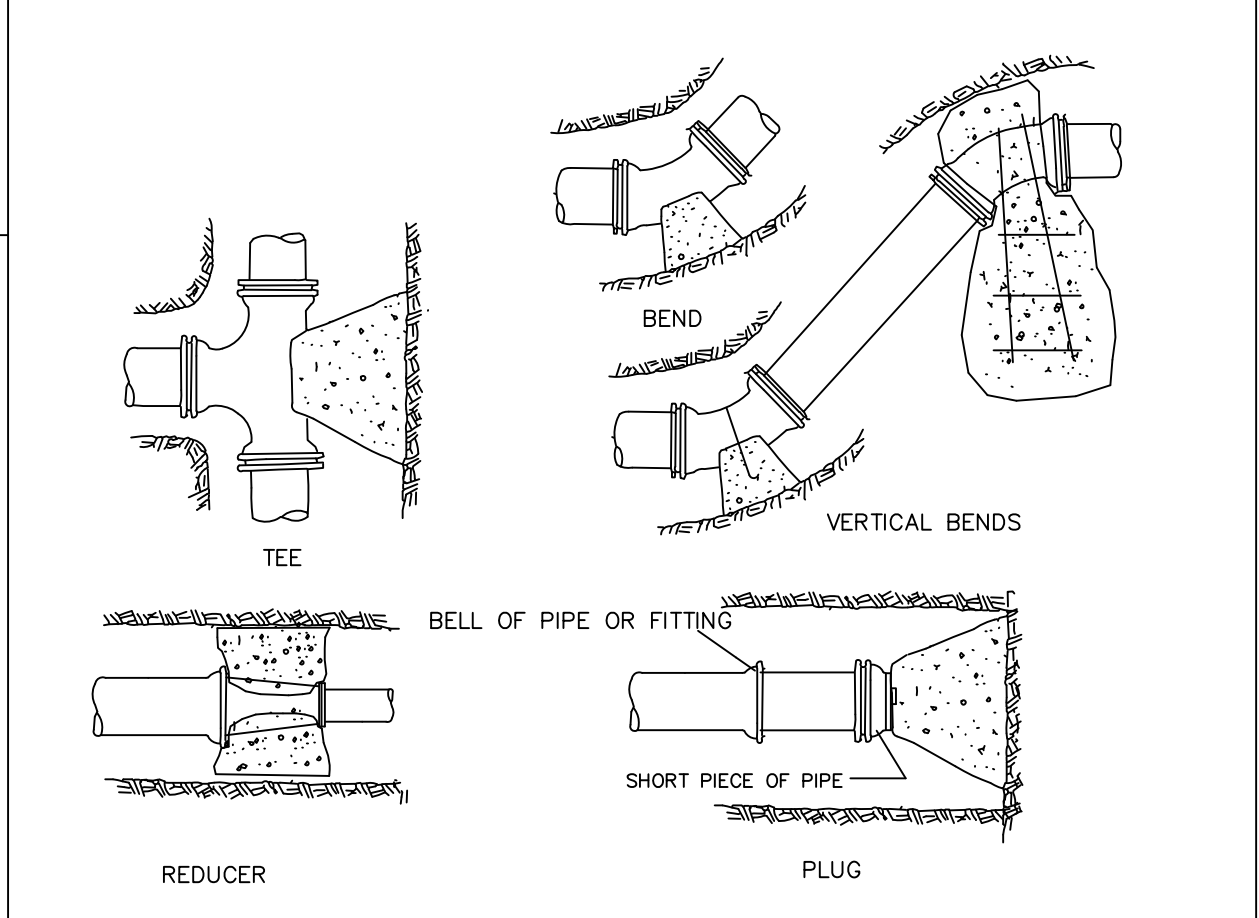
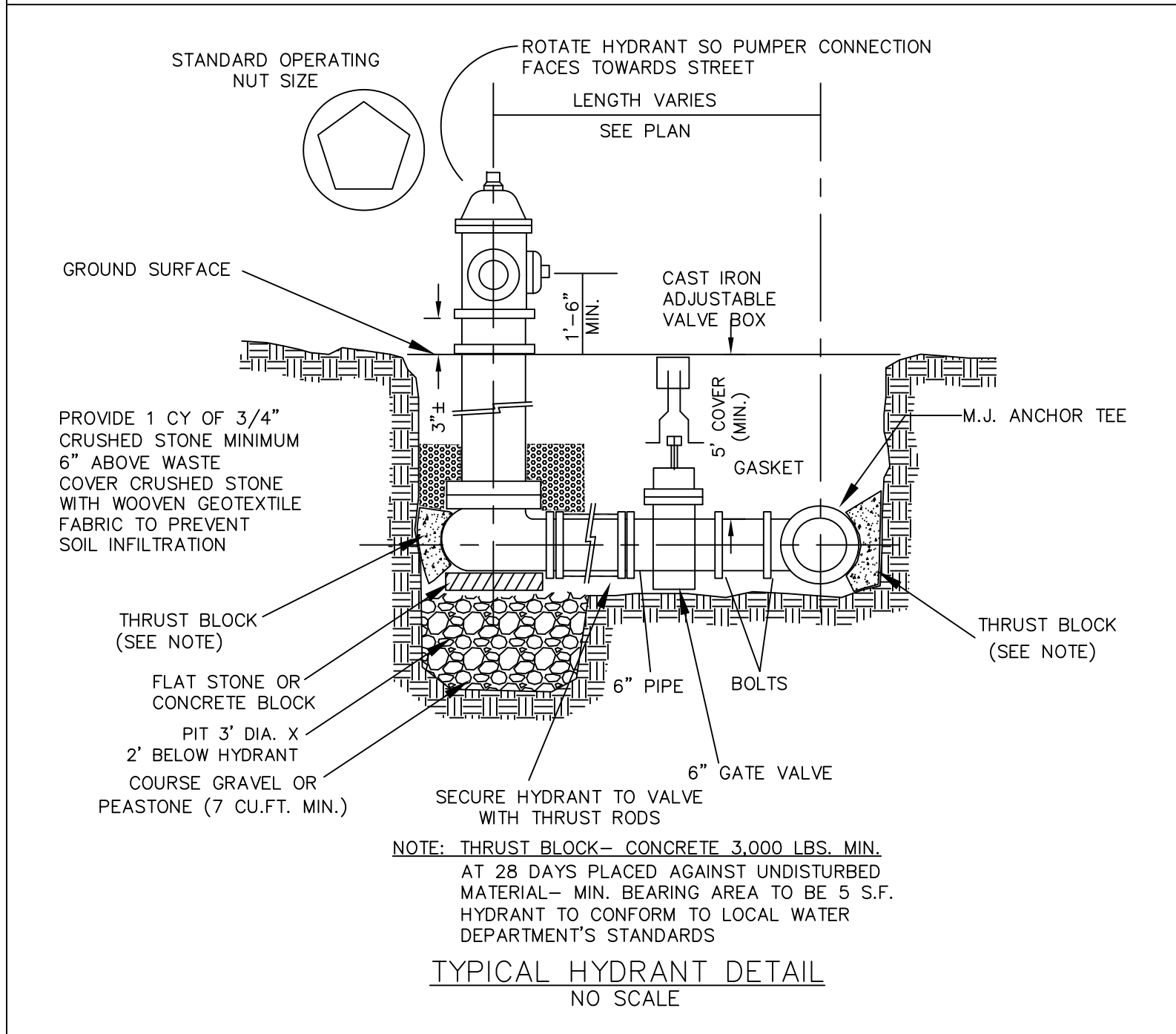
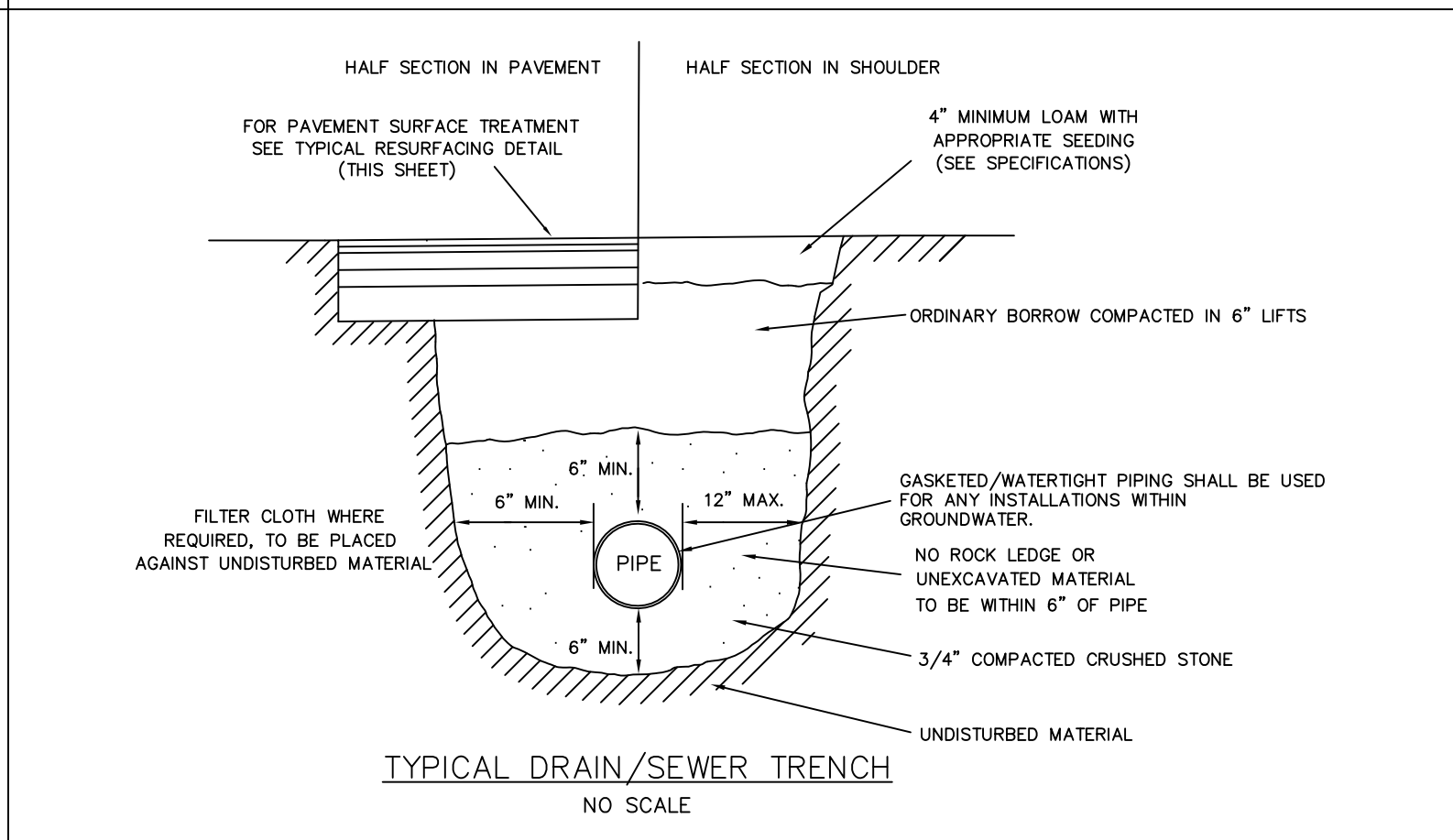
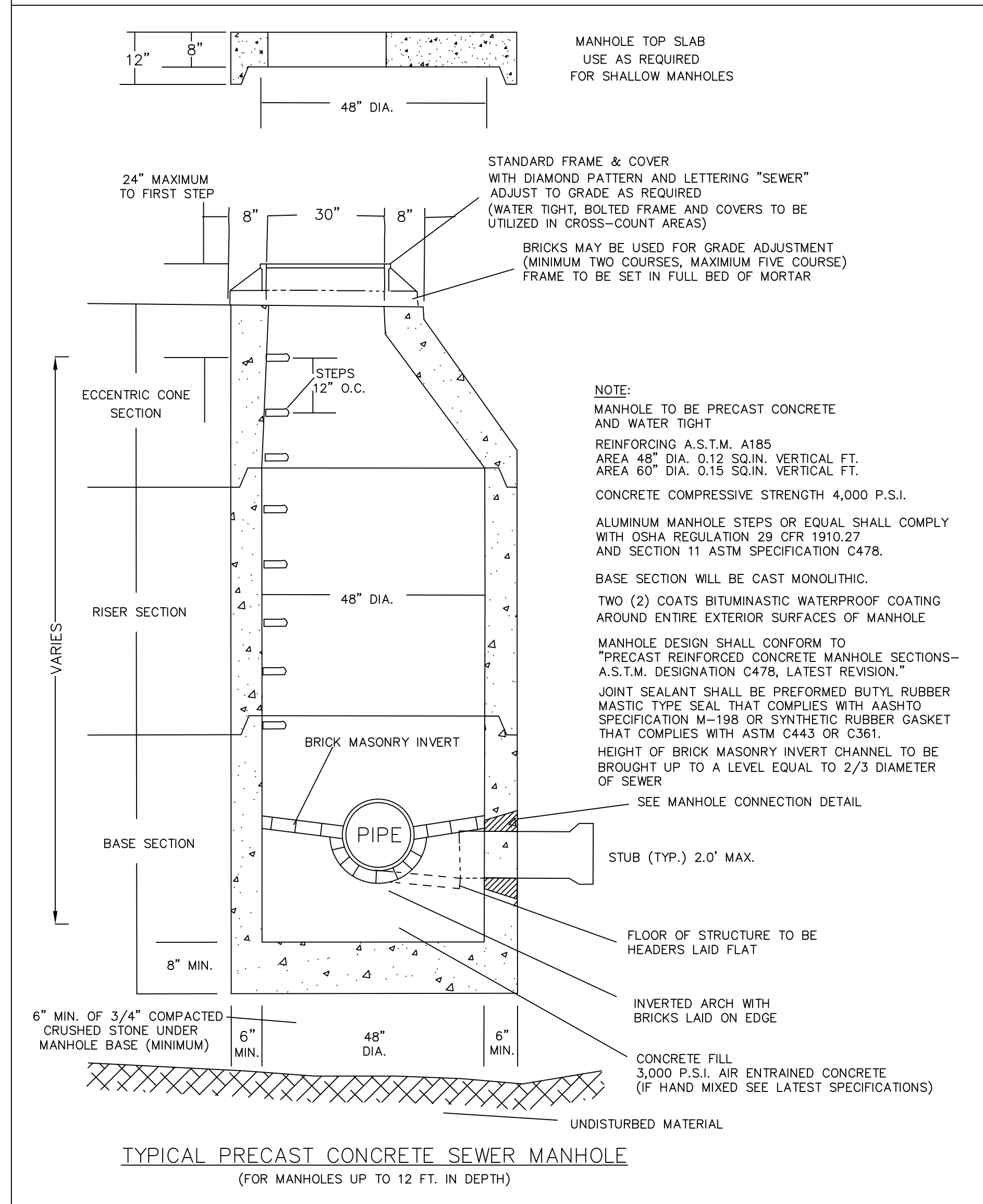
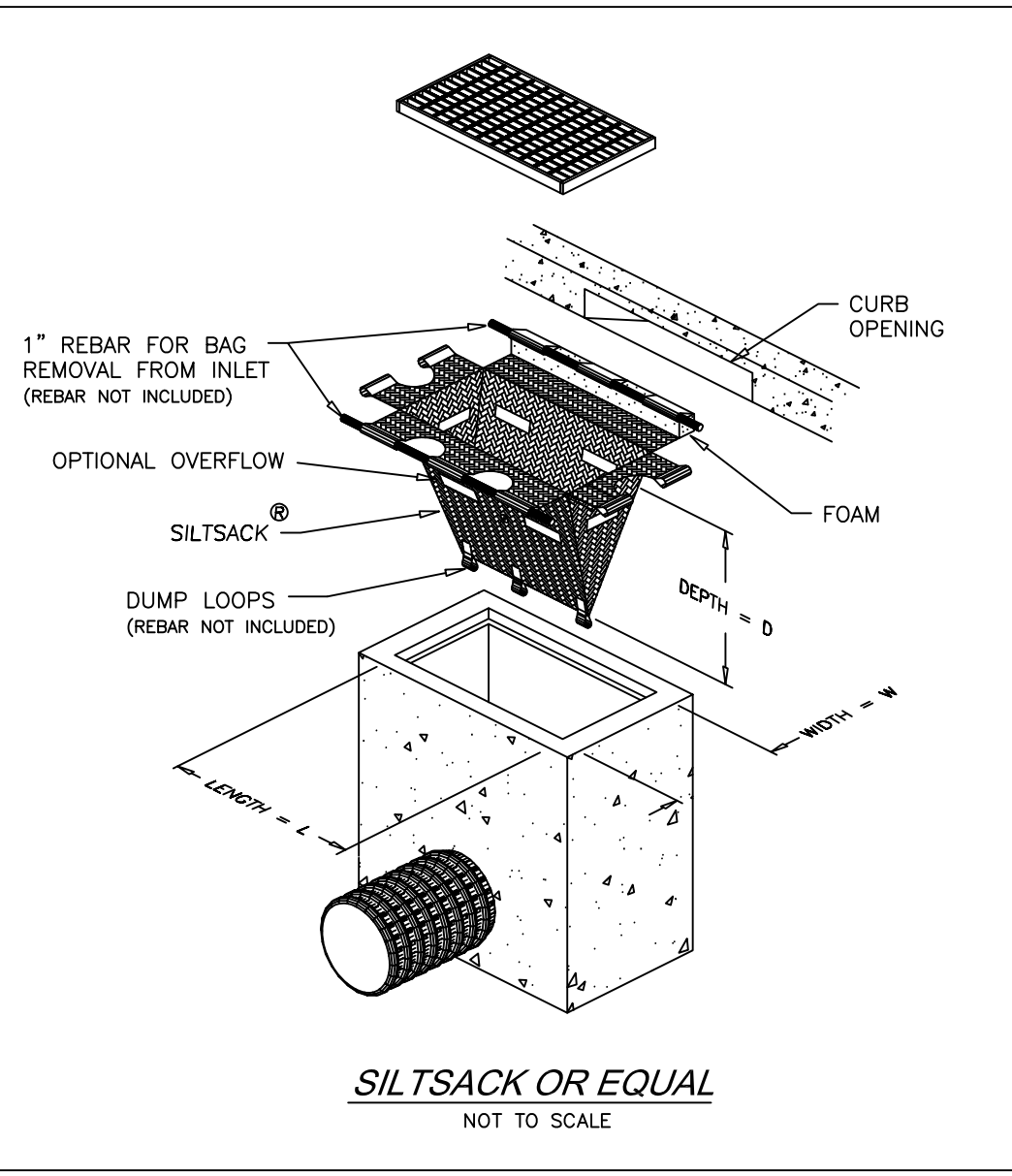
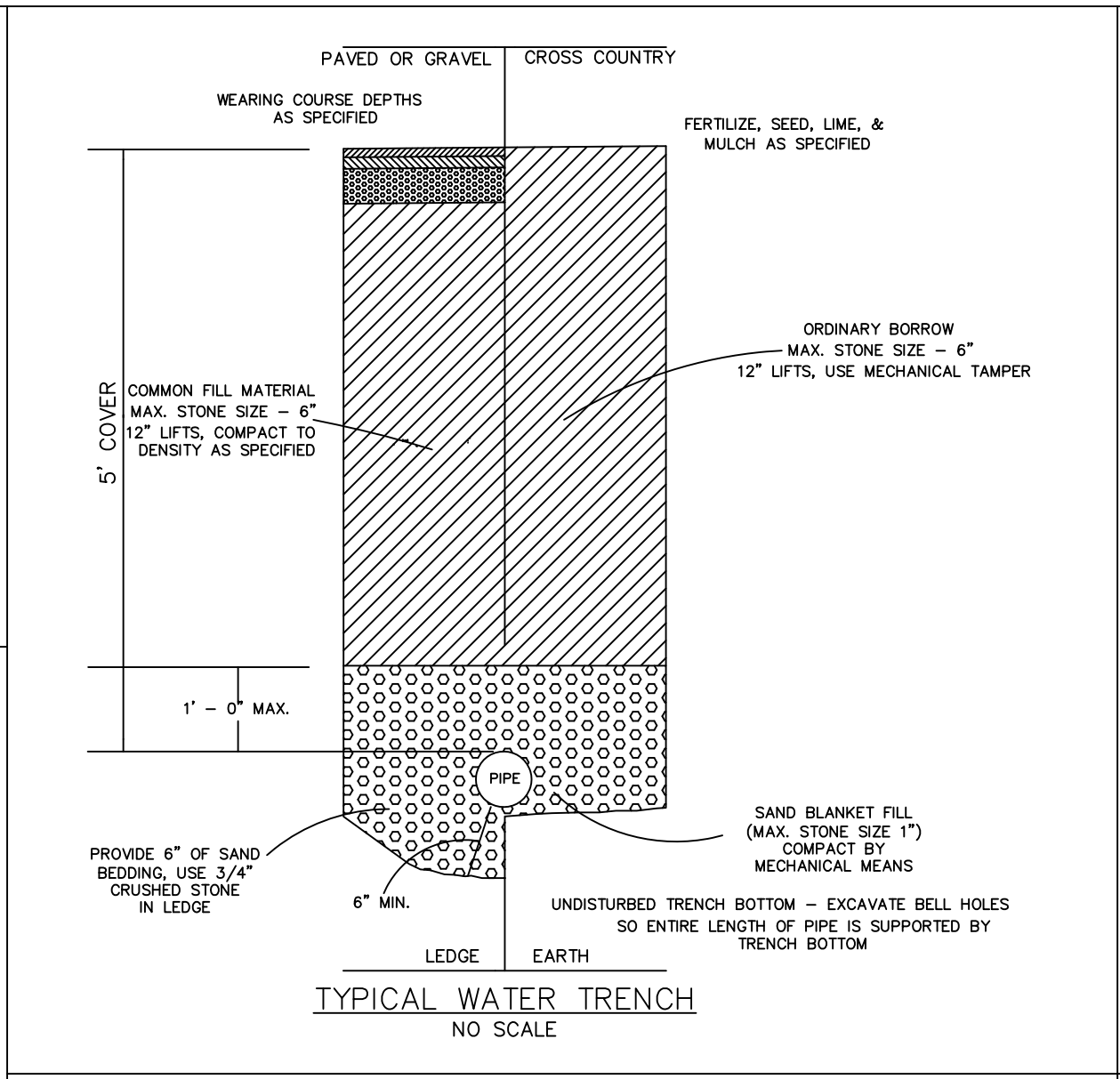
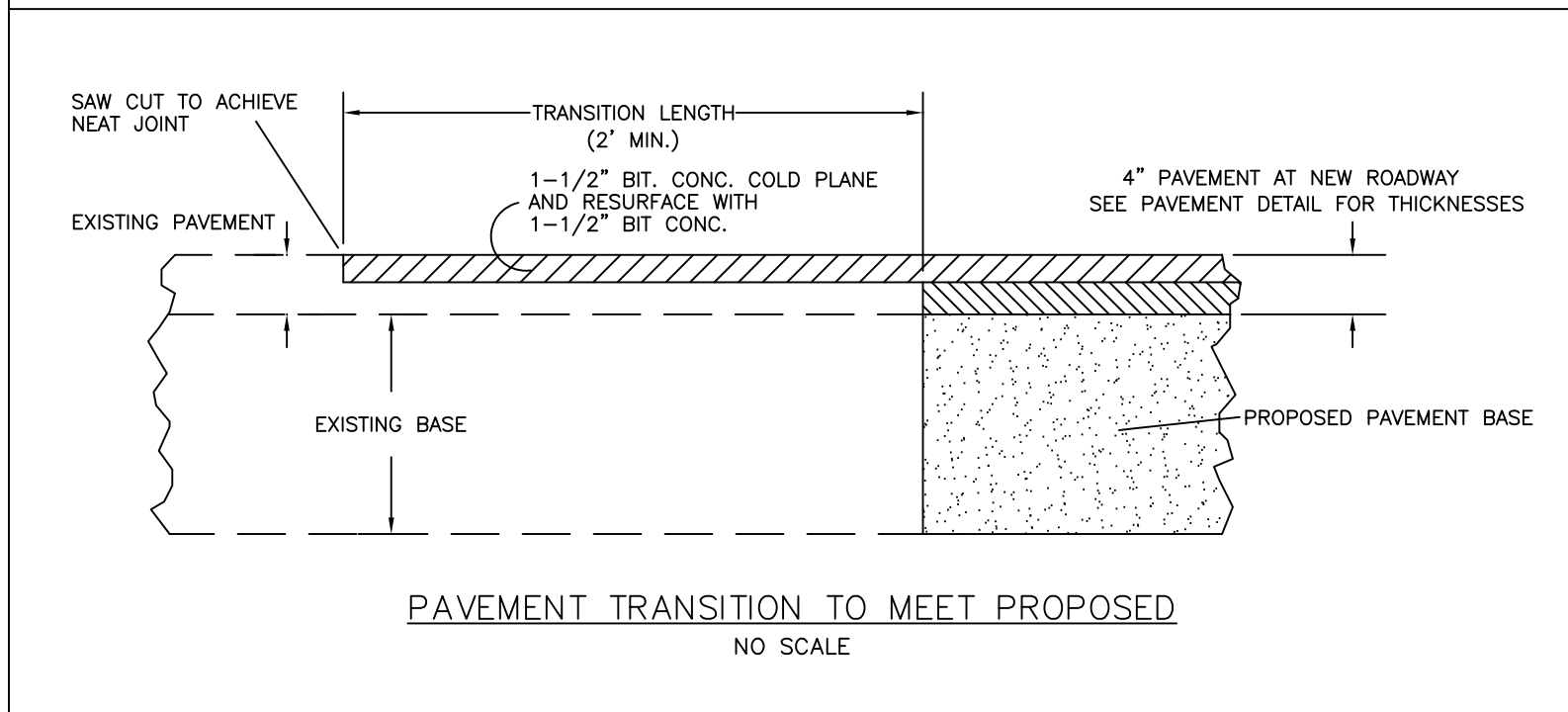
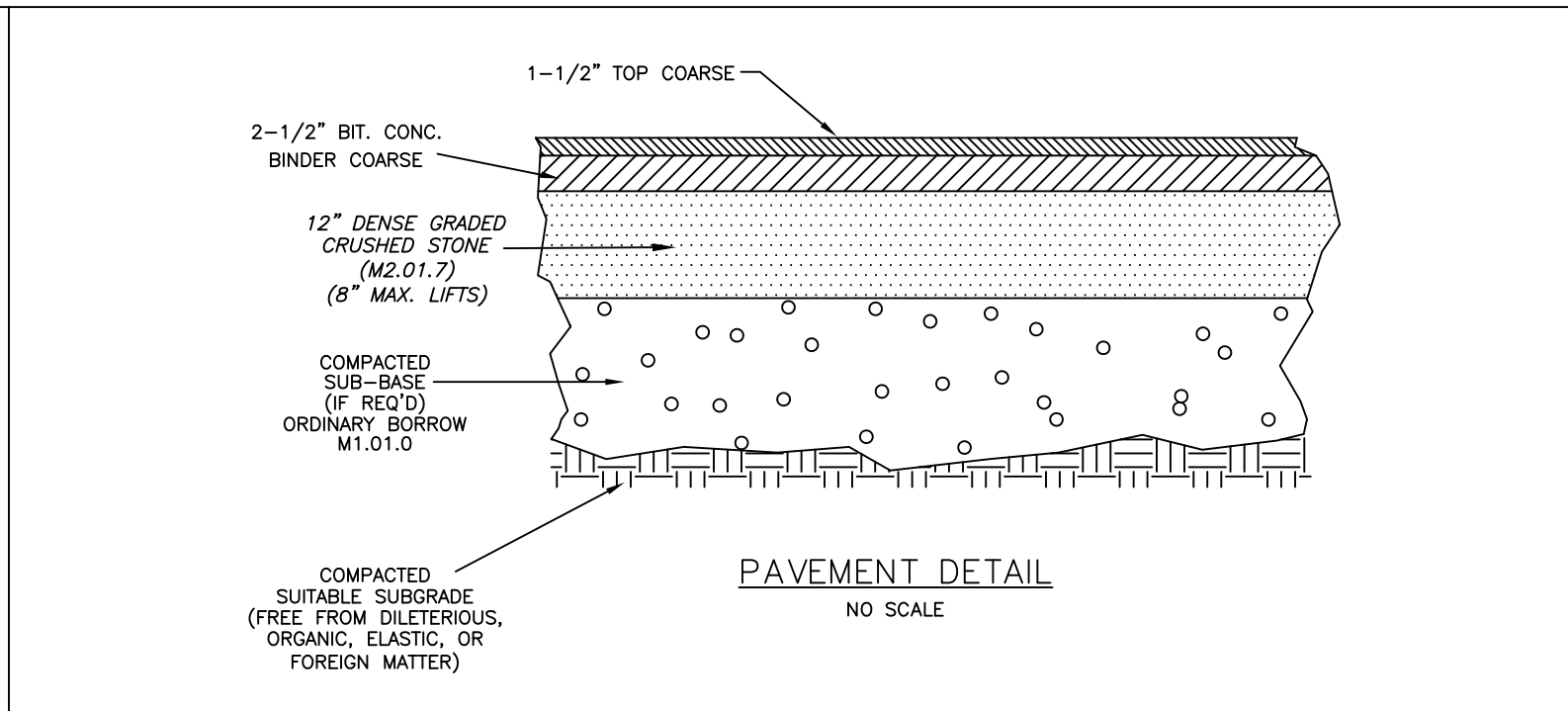
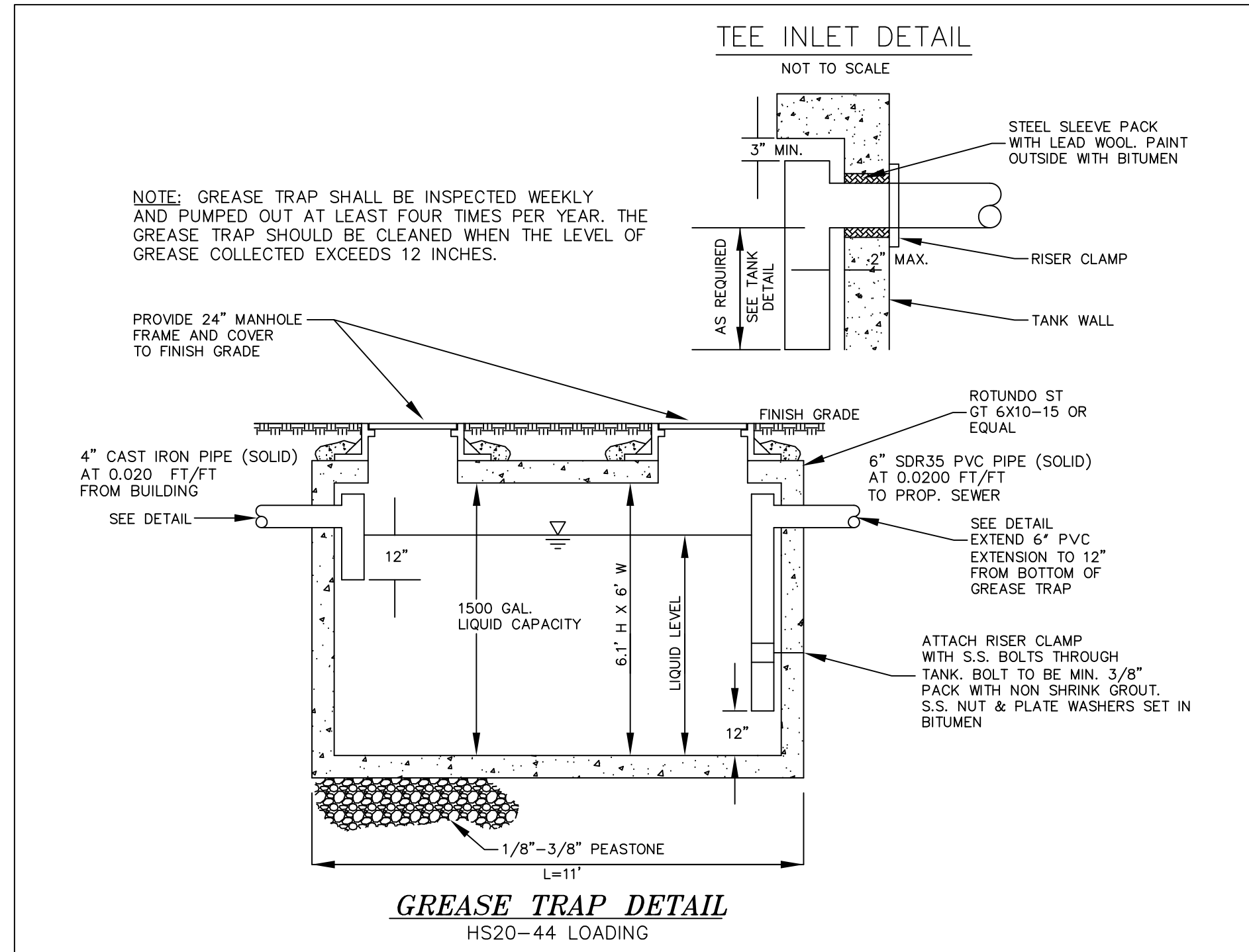
**WHITMAN & BINGHAM**  
ASSOCIATES  
A DIVISION OF HALEY WARD, INC.

510 MECHANIC STREET  
LEDMINSTER, MASSACHUSETTS 01463  
TEL. (978) 537-5200  
FAX. (978) 537-1423



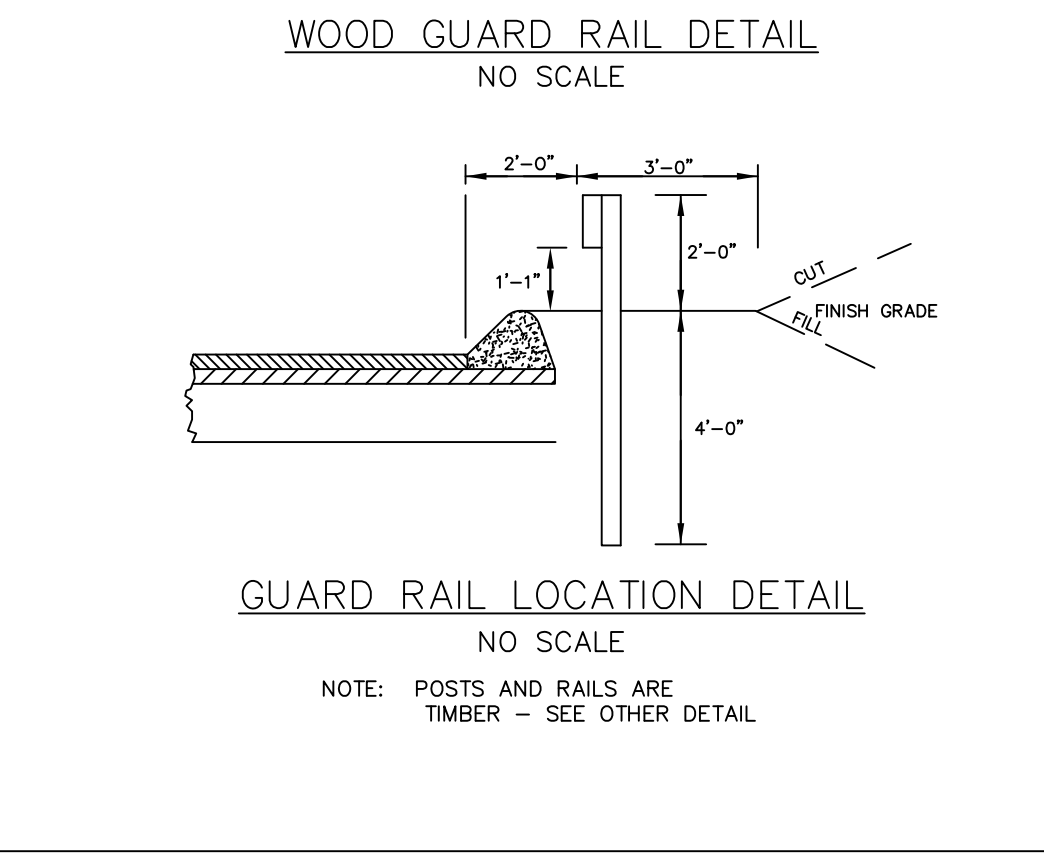
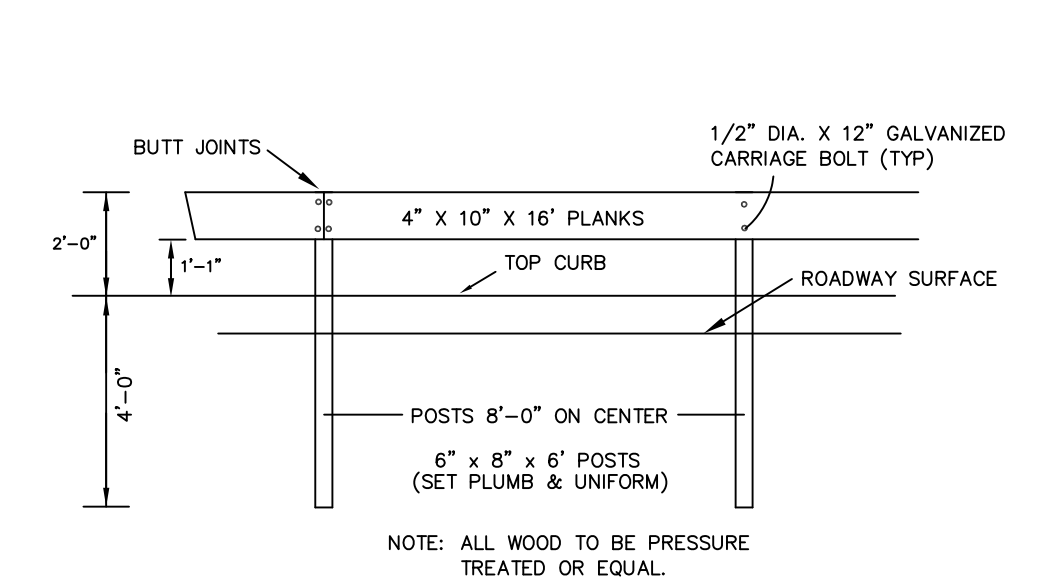
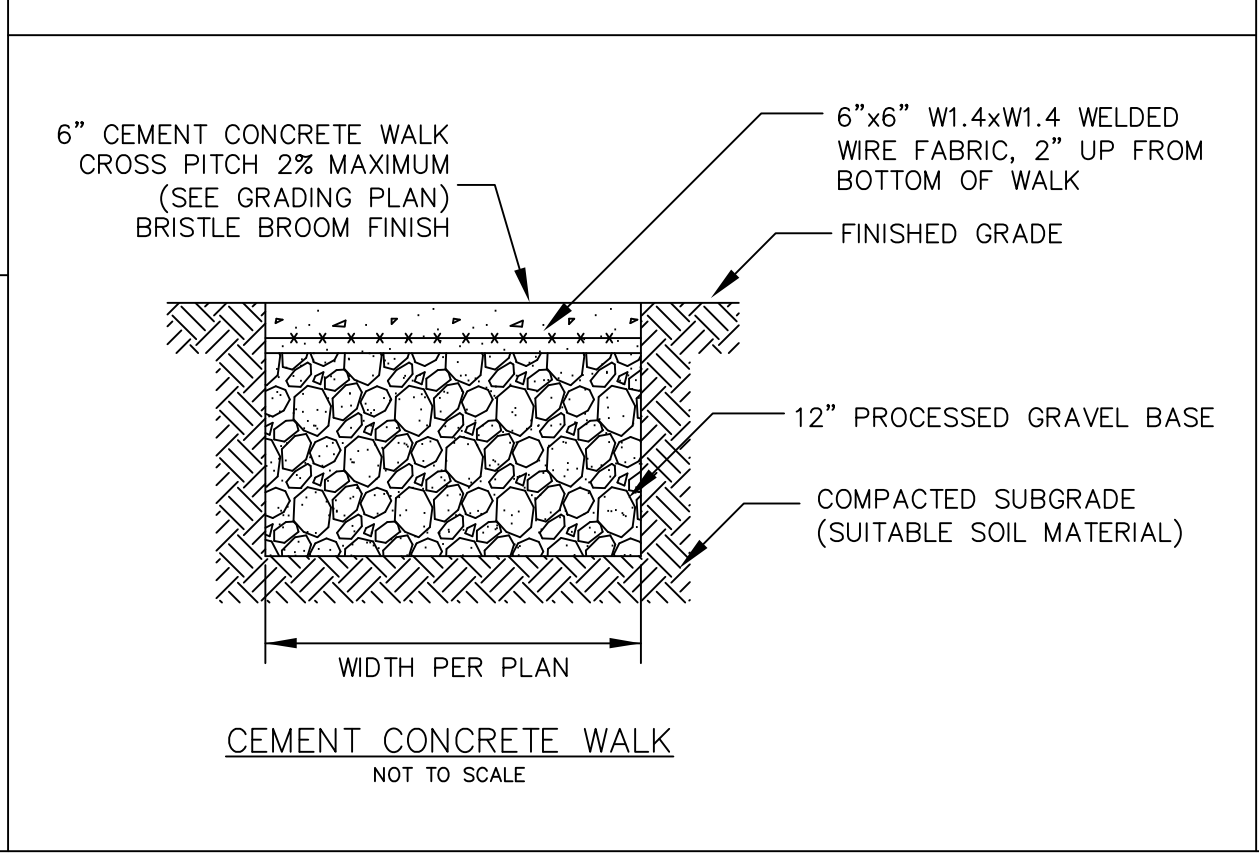
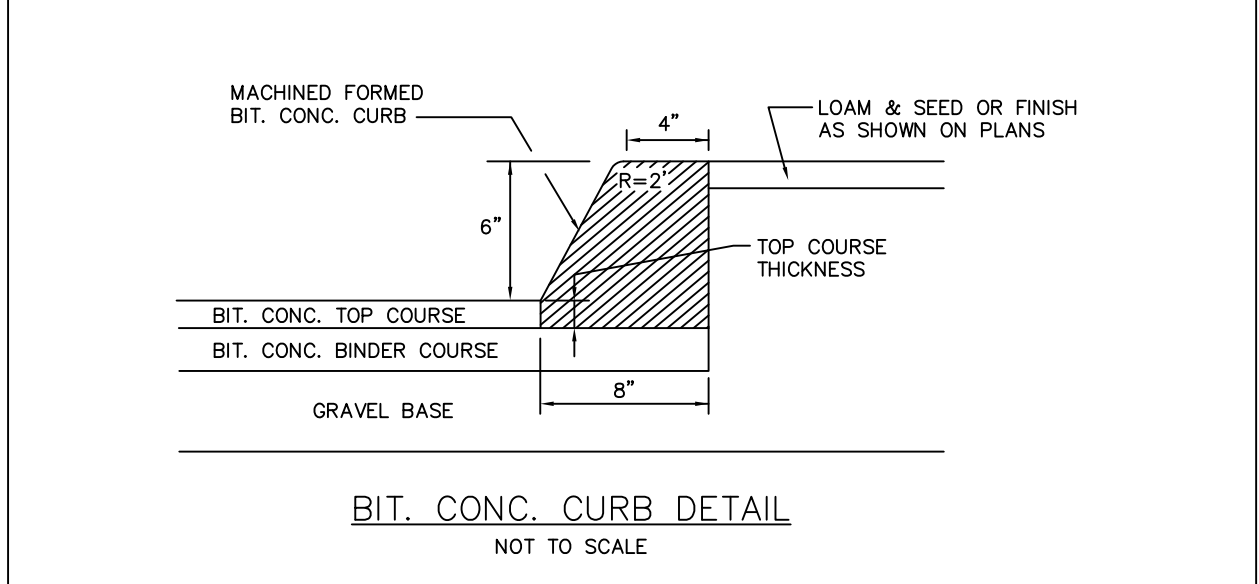
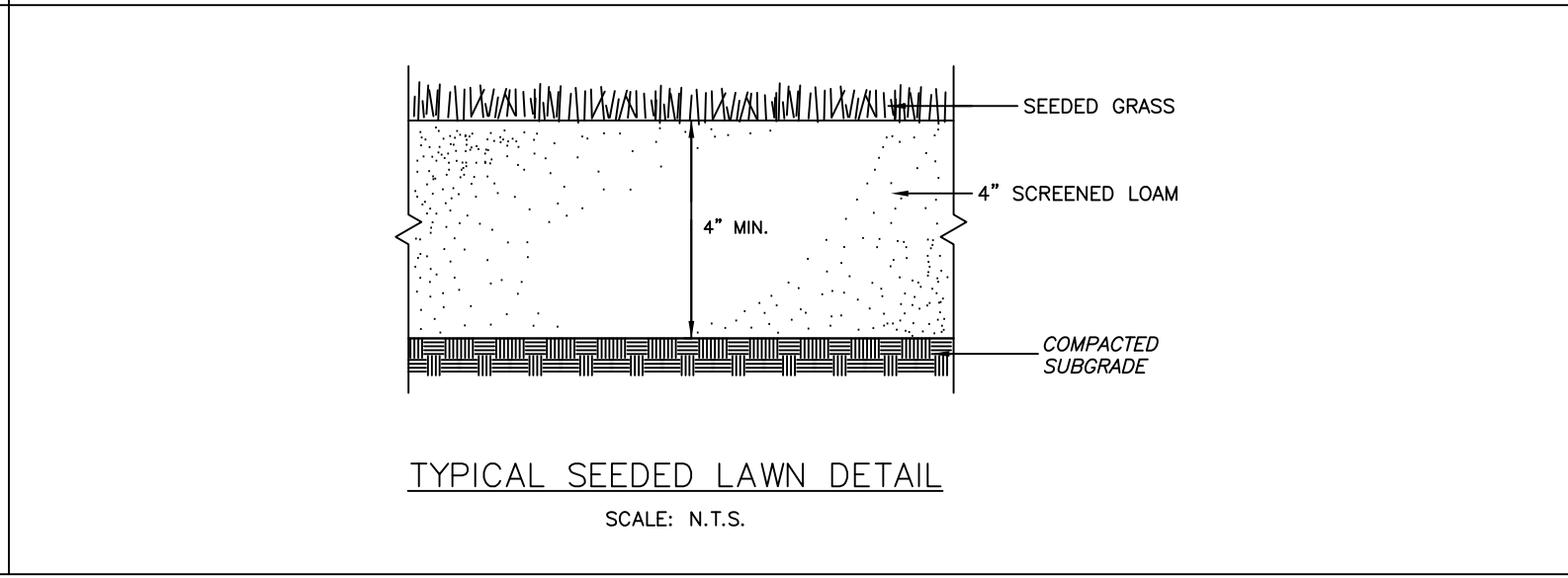
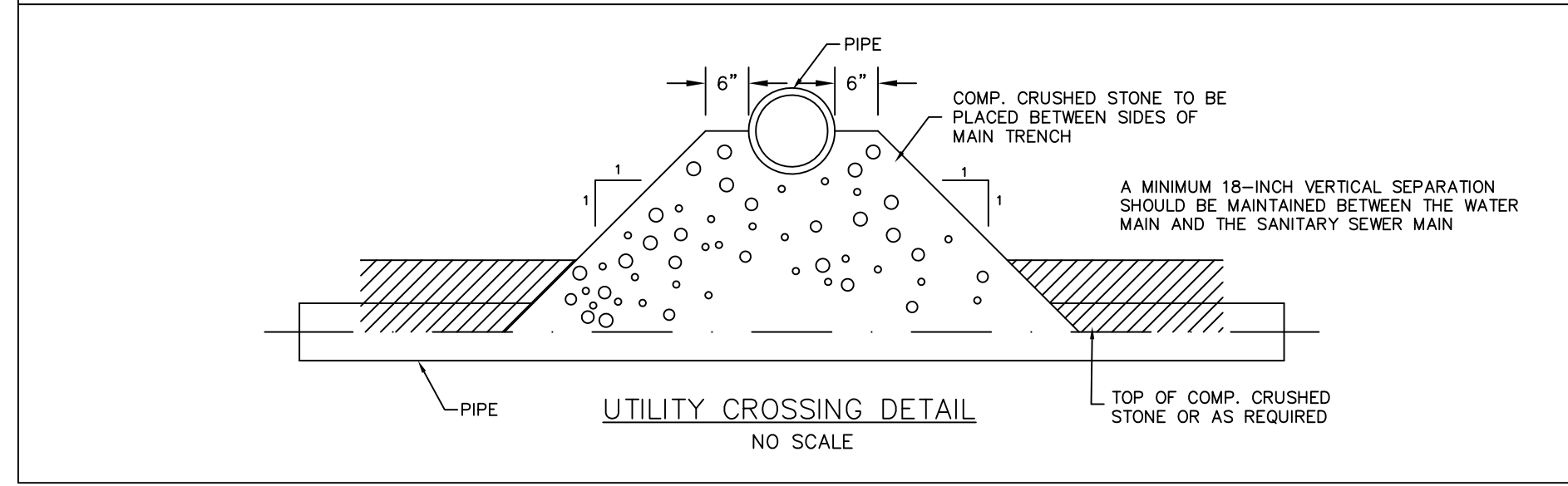
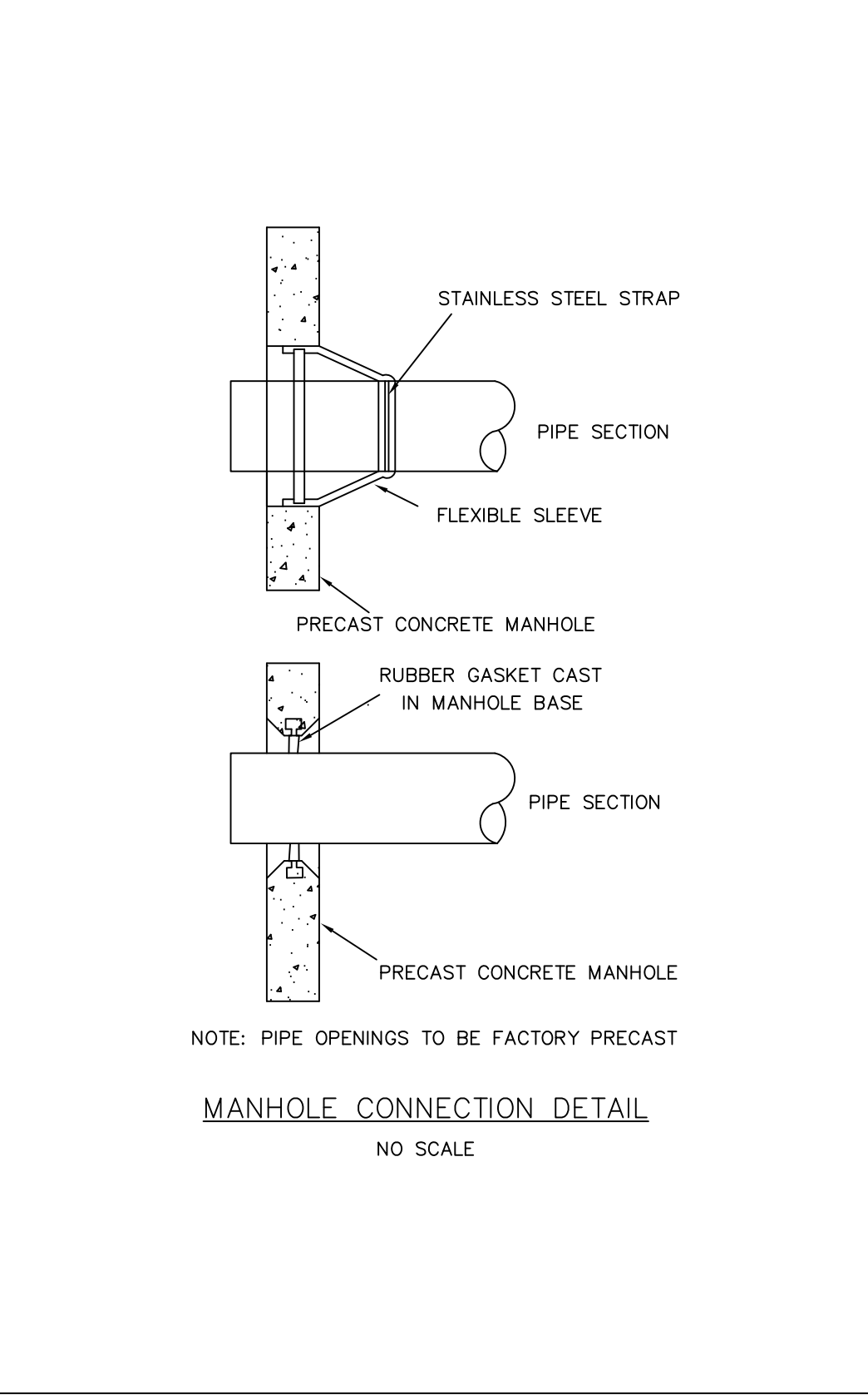






PIPE SIZE	MIN. SURFACE BEARING AREA (S.F.) OF CONC. AGAINST UNDISTURBED EARTH				
	90°	45°	SMALLER 45° GREATER 90°	BRANCH OF TEE	DEAD END
6"	4	2	2	4	4
8"	7	4	3	5	5
10"	9	6	5	7	7
12"	12	9	6	9	9

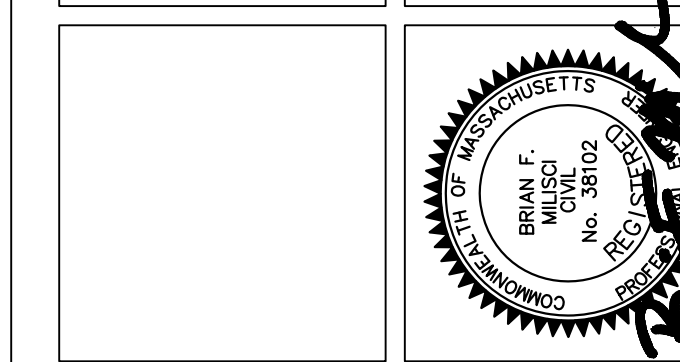
- ALL BENDS, TEES, WYES, HYDRANTS, & DEAD ENDS
- BEARING AREA IS AREA OF CONCRETE IN CONTACT WITH WALL OF TRENCH = H x L
- HEIGHT (H) & LENGTH (L) AS REQUIRED TO OBTAIN BEARING AREA IN TABLE.



CHECKED BY: BFM	SCALE: AS NOTED	JOB NUMBER: 14947	PLAN NUMBER: 4-L-1085	FIELD BOOK REF(S):
DRAWN BY: WRF	DATE: MARCH 30, 2022	SHEET NUMBER: 4 OF 4	COMPS: 10193	PLAN REF(S):
REVISIONS				DATE
DESCRIPTION				BY
NO.				

CONSTRUCTION DETAILS FOR BULL SPIT BREWERY IN WINCHENDON, MASSACHUSETTS

PREPARED FOR:  
BULL SPIT BREWING COMPANY  
KEITH KOPLEY  
351 SOUTH ASHBURNHAM ROAD  
WESTMINSTER, MASSACHUSETTS 01473  
(978) 878-3239



**WHITMAN & BINGHAM ASSOCIATES**  
A DIVISION OF HALEY WARD, INC.  
510 MECHANIC STREET  
LEOMINSTER, MASSACHUSETTS 01453  
TEL: (978) 833-5286  
FAX: (978) 833-1425