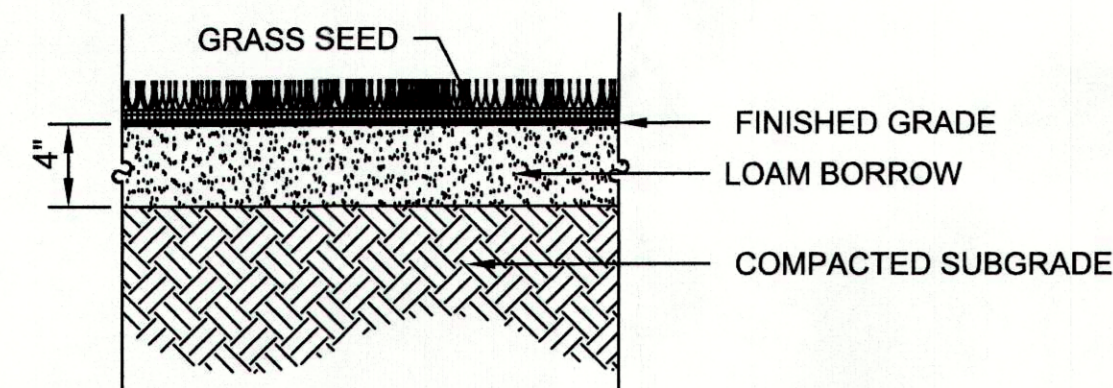


DISTRICT 2
ADA RETROFITS AT VARIOUS LOCATIONS

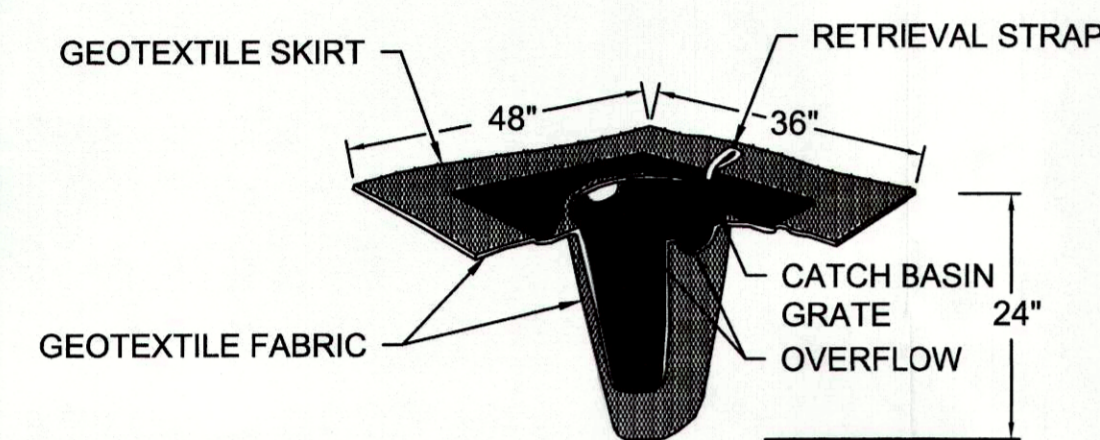
STATE	FED. AID PROJ. NO.	SHEET NO.	TOTAL SHEETS
MA	-	3	3
PROJECT FILE NO.		609385	

EROSION CONTROL DETAILS

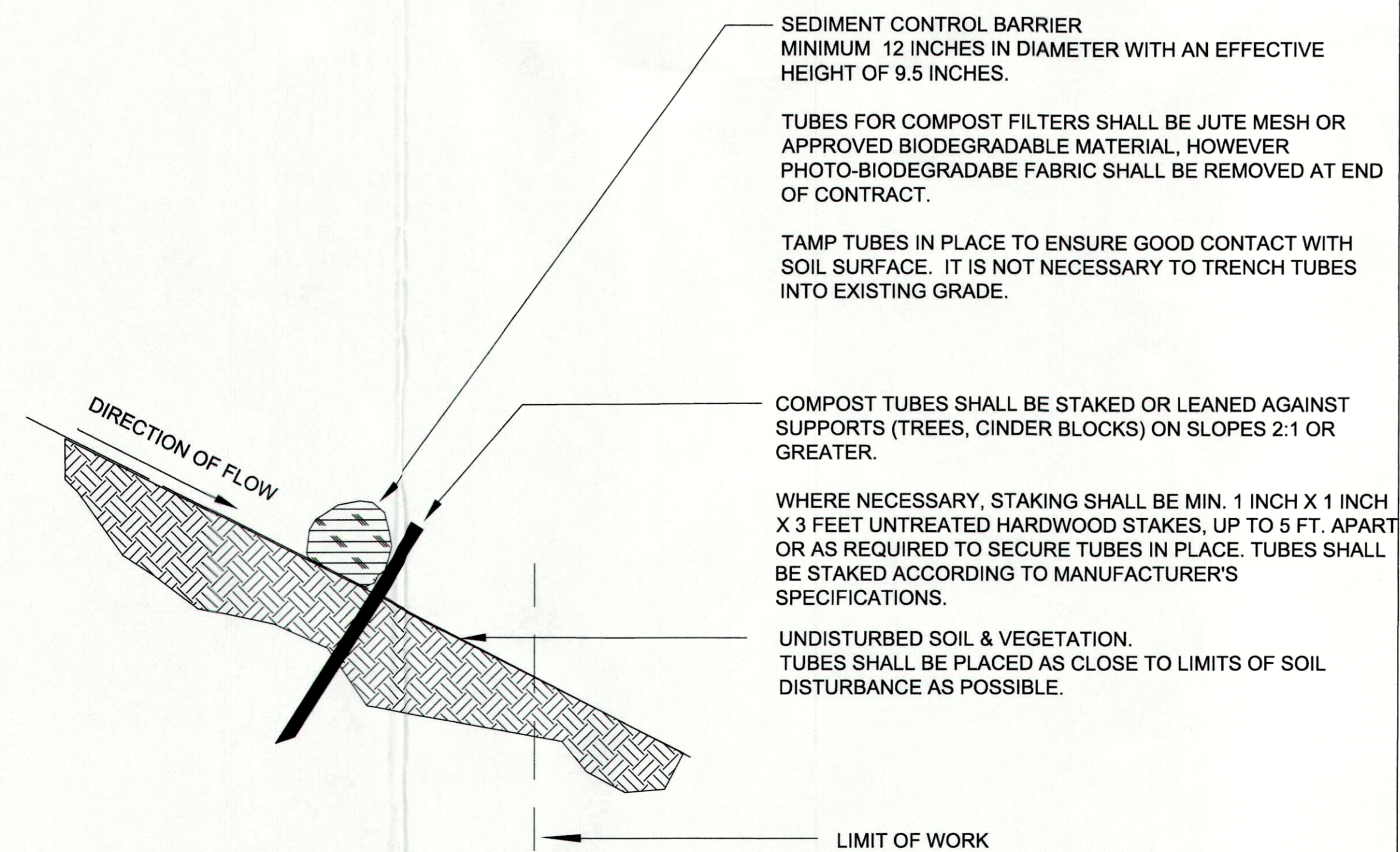


* DEPTH REFLECTS PLACEMENT AND ROLLING PRIOR TO SEEDING OF LOAM.

LOAM AND SEED DETAILS
NOT TO SCALE



SILT SACK
NOT TO SCALE



SEDIMENT CONTROL BARRIER
MINIMUM 12 INCHES IN DIAMETER WITH AN EFFECTIVE HEIGHT OF 9.5 INCHES.

TUBES FOR COMPOST FILTERS SHALL BE JUTE MESH OR APPROVED BIODEGRADABLE MATERIAL, HOWEVER PHOTO-BIODEGRADABLE FABRIC SHALL BE REMOVED AT END OF CONTRACT.

TAMP TUBES IN PLACE TO ENSURE GOOD CONTACT WITH SOIL SURFACE. IT IS NOT NECESSARY TO TRENCH TUBES INTO EXISTING GRADE.

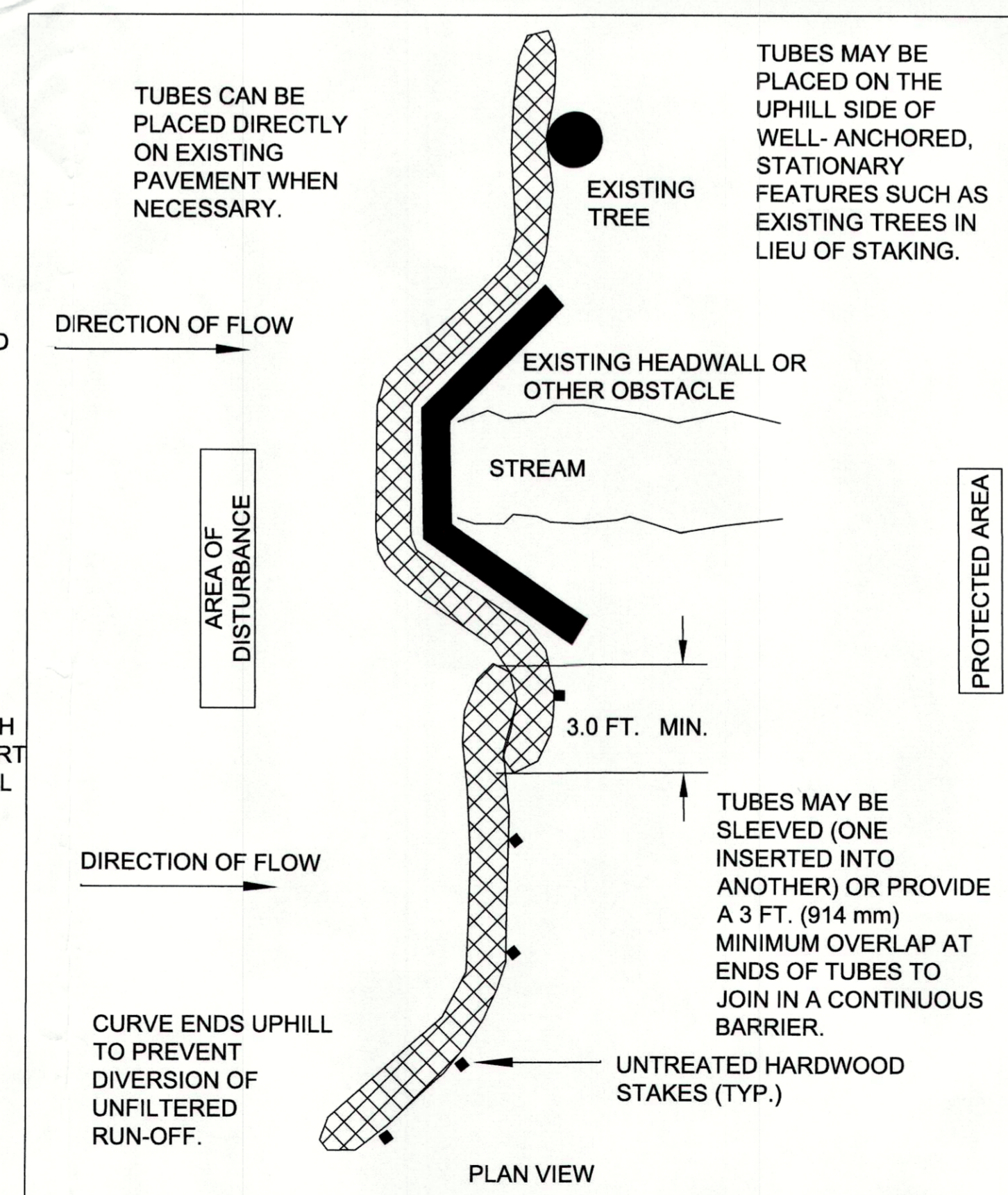
COMPOST TUBES SHALL BE STAKED OR LEANED AGAINST SUPPORTS (TREES, CINDER BLOCKS) ON SLOPES 2:1 OR GREATER.

WHERE NECESSARY, STAKING SHALL BE MIN. 1 INCH X 1 INCH X 3 FEET UNTREATED HARDWOOD STAKES, UP TO 5 FT. APART OR AS REQUIRED TO SECURE TUBES IN PLACE. TUBES SHALL BE STAKED ACCORDING TO MANUFACTURER'S SPECIFICATIONS.

UNDISTURBED SOIL & VEGETATION.
TUBES SHALL BE PLACED AS CLOSE TO LIMITS OF SOIL DISTURBANCE AS POSSIBLE.

SEDIMENT CONTROL BARRIER

NOT TO SCALE



TUBES CAN BE PLACED DIRECTLY ON EXISTING PAVEMENT WHEN NECESSARY.

TUBES MAY BE PLACED ON THE UPHILL SIDE OF WELL-ANCHORED, STATIONARY FEATURES SUCH AS EXISTING TREES IN LIEU OF STAKING.

DIRECTION OF FLOW

AREA OF DISTURBANCE

PROTECTED AREA

EXISTING HEADWALL OR OTHER OBSTACLE

STREAM

3.0 FT. MIN.

TUBES MAY BE SLEEVED (ONE INSERTED INTO ANOTHER) OR PROVIDE A 3 FT. (914 mm) MINIMUM OVERLAP AT ENDS OF TUBES TO JOIN IN A CONTINUOUS BARRIER.

DIRECTION OF FLOW

CURVE ENDS UPHILL TO PREVENT DIVERSION OF UNFILTERED RUN-OFF.

UNTREATED HARDWOOD STAKES (TYP.)

PLAN VIEW

NOT TO SCALE

GENERAL NOTES:

1. PROVIDE A MINIMUM TUBE DIAMETER OF 12 INCHES FOR SLOPES UP TO 50 FEET IN LENGTH WITH A SLOPE RATIO OF 3H:1V OR STEEPER. LONGER SLOPES OF 3H:1V MAY REQUIRE LARGER TUBE DIAMETER OR ADDITIONAL COURSING OF FILTER TUBES TO CREATE A FILTER BERM. REFER TO MANUFACTURER'S RECOMMENDATIONS FOR SITUATIONS WITH LONGER OR STEEPER SLOPES.
2. INSTALL TUBES ALONG CONTOURS AND PERPENDICULAR TO SHEET OR CONCENTRATED FLOW.
3. TUBE LOCATION MAY BE SHIFTED TO ADJUST TO LANDSCAPE FEATURES, BUT SHALL PROTECT UNDISTURBED AREA AND VEGETATION TO MAXIMUM EXTENT POSSIBLE.
4. DO NOT INSTALL IN PERENNIAL, EPHEMERAL OR INTERMITTENT STREAMS.
5. ADDITIONAL TUBES SHALL BE USED AT THE DIRECTION OF THE ENGINEER.
6. ADDITIONAL STAKING SHALL BE USED AT THE DIRECTION OF THE ENGINEER.

