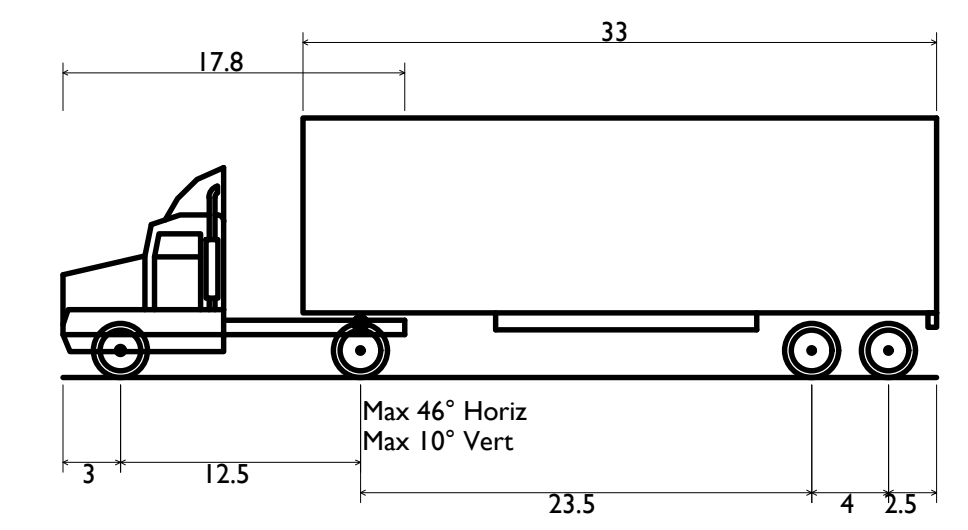
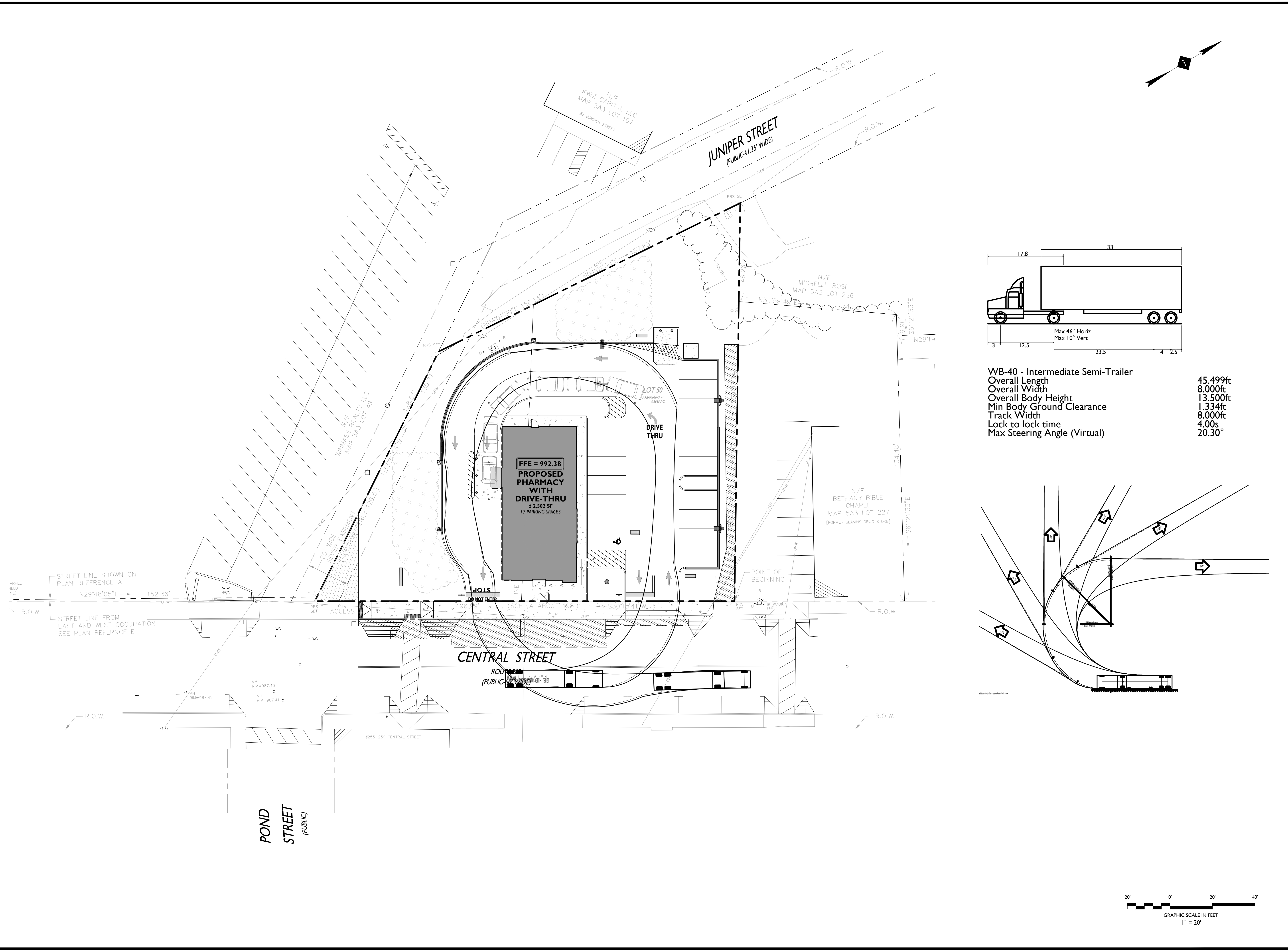
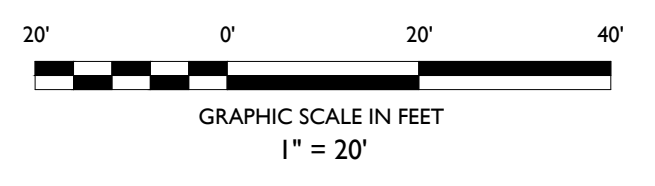
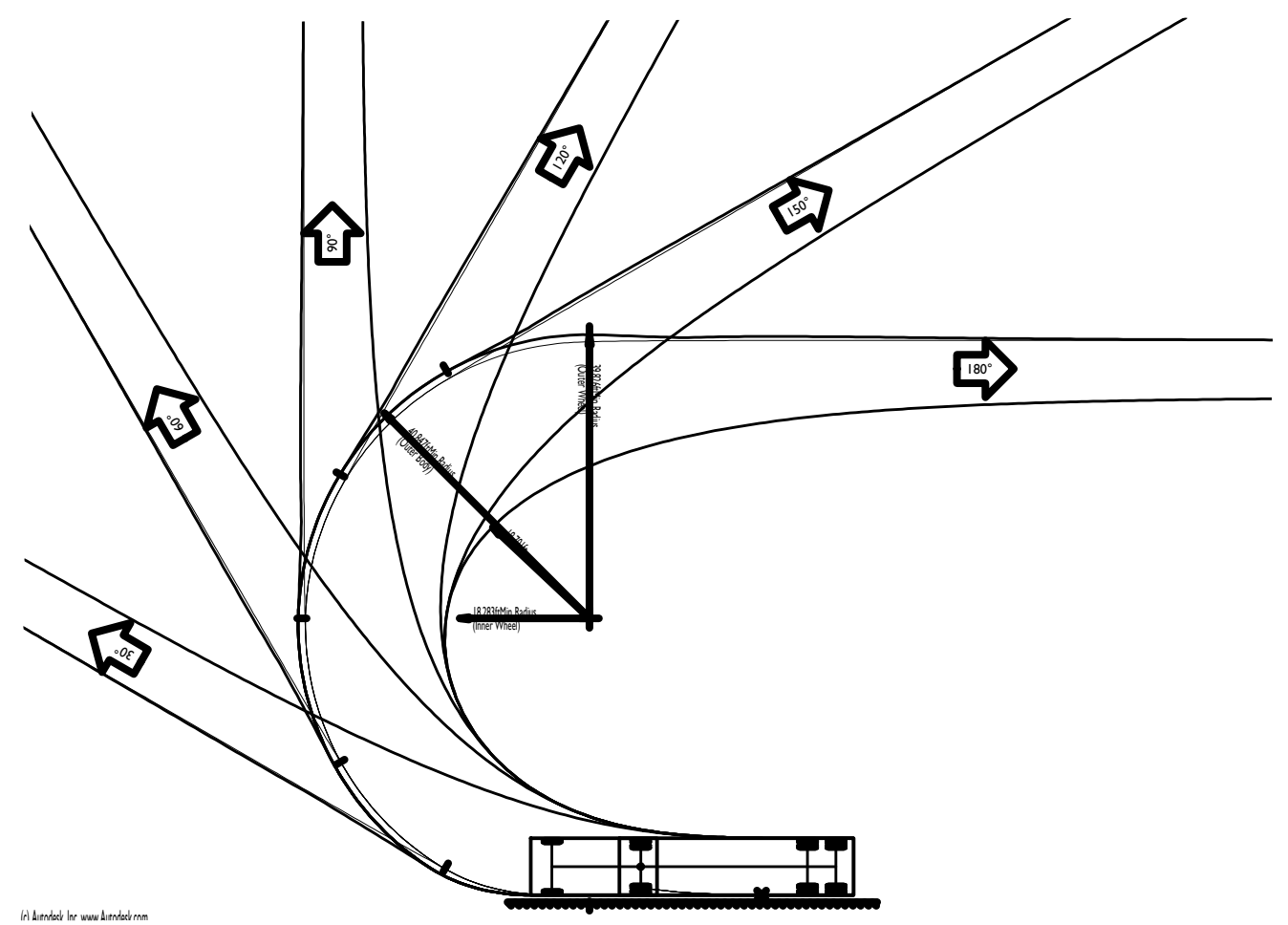




Z:\PROJECTS\2021\100218031 COCCA DEVELOPMENT - 20-CENTRAL STREET - WINCHENDON, MASSACHUSETTS\PROJECT\2021\100218031\_TURCK TURN EXHIBIT.DWG



WB-40 - Intermediate Semi-Trailer  
 Overall Length 45.499ft  
 Overall Width 8.000ft  
 Overall Body Height 13.500ft  
 Min Body Ground Clearance 1.334ft  
 Track Width 8.000ft  
 Lock to lock time 4.00s  
 Max Steering Angle (Virtual) 20.30°



ISSUE	DATE	BY	DESCRIPTION
01	10/08/2021	SPM	FOR CLIENT REVIEW

NOT APPROVED FOR CONSTRUCTION

**STONEFIELD**  
 engineering & design

Rutherford, NJ · New York, NY · Boston, MA  
 Princeton, NJ · Tampa, FL · Detroit, MI  
[www.stonefielddesign.com](http://www.stonefielddesign.com)  
 1 Beacon Street, 15 Floor, Boston, MA 02108  
 Phone 617.203.2076

SITE PLAN SET

**FIDC I63 LLC**  
 PROPOSED PHARMACY WITH  
 DRIVE-THRU

BLOCK 583, LOT 50  
 290 CENTRAL STREET (U.S. ROUTE 202)  
 TOWN OF WINCHENDON  
 WORCESTER COUNTY, MASSACHUSETTS

JOSHUA H. KLINE, P.E.  
 MASSACHUSETTS LICENSE No. 53936  
 LICENSED PROFESSIONAL ENGINEER

**STONEFIELD**  
 engineering & design

SCALE: 1" = 20' PROJECT ID: BOS-210033

TITLE:  
**TRUCK TURN EXHIBIT (WB-40)**

DRAWING:  
**2 OF 3**

